

ACOUSTIC
FELT



FeltVibe®



**ACOUSTIC PET FELT
PENDANT LAMPS**



CUPALA

Acoustic PET Felt Pendant Lamp

Natural form. Acoustic comfort.

Cupala PET Felt Acoustic Lamp adds both light and acoustic comfort to meeting and dining tables. Its ribbed PET felt dome helps reduce noise where people gather, while giving the space a playful sculptural look. It fits standard bulbs, so you can choose your preferred light source.

Available in 16 PET felt colours, each blend has its own texture and depth. Slight colour differences between batches are a natural result of the recycled material.

TECHNICAL SPECIFICATIONS

Material: ARKETA: 100% PET, 60% recycled content, ARKEATA ECOCO: 100% Recycled PET

Light Source: E26/E27 (Light Bulb not included)

Maximum Wattage: E27 18 W,

Dimensions: Ø 750mm × H 255 mm

Product Weight: 3.1 kg / per pcs. (+/-5%)

Suspension Cable: Cables + ceiling mount Steel, 3 m, Electrical cord 3-core, 3 m

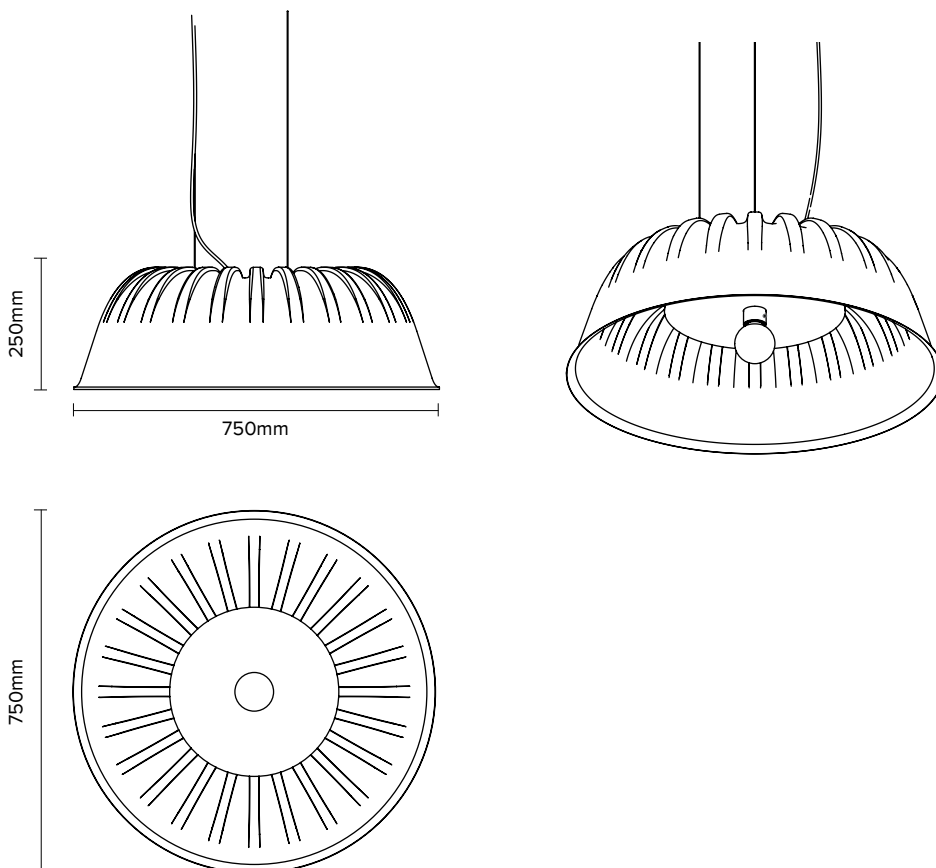
Mounting Type: Pendant ceiling mounting

Color Temperature: Depends on selected bulb

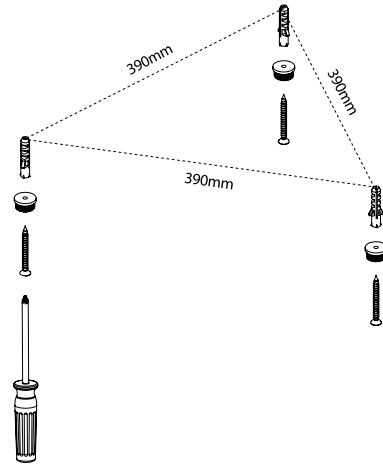
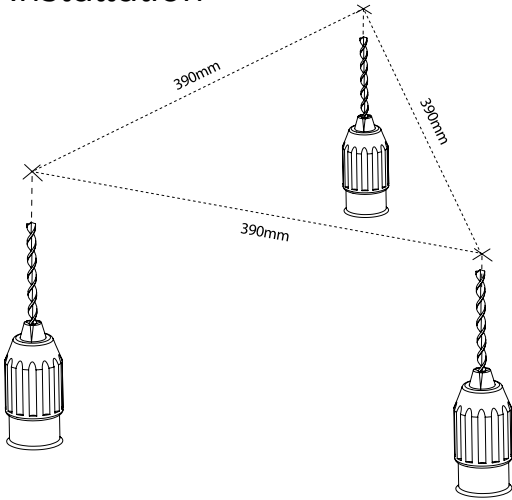
Dimming: Depends on bulb and dimmer compatibility

Acoustic Performance: Sound-absorbing PET felt structure helps reduce reverberation and improve acoustic comfort

Application Areas: Dining areas. Restaurants and cafés, Office spaces, Meeting rooms, Cultural and public spaces

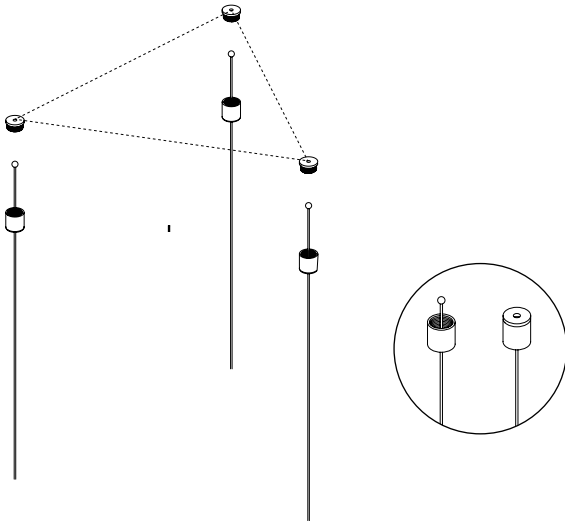


Installation

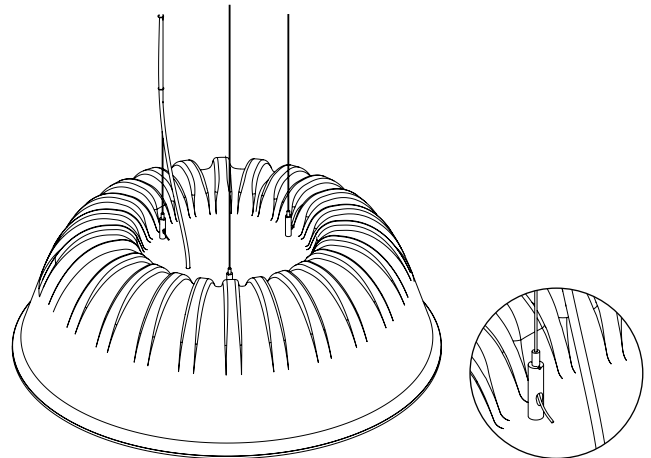


1. Drill 3 holes with 390mm between them.

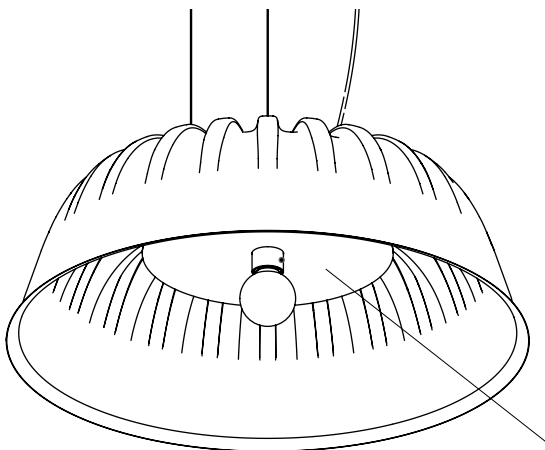
2. Dübelleri takın ve tavan diskini dübele vidalayın.



3. Insert the steel cable with ball end into the ceiling cap. Then mount the ceiling cap on the ceiling disk.



4. Push the three steel cables into the cable adjusters and adjust them to the correct height. Make sure to thread the steel cable through the rubber rings on the cord.



Powder-coated steel

5. Connect the lamp to power supply and put the light bulb in the socket. Depending on your order, Large Bulb is delivered with E26 or E27 fitting. The light bulbs are not included.



DOME

PET Felt Acoustic Lamp

Natural form. Acoustic comfort.

The Dome Pendant Lamp combines contemporary design with sustainable materials, creating a warm and refined atmosphere in any interior. Designed to hang above dining tables, meeting areas, or lounge spaces, it introduces a natural and elegant focal point.

Made from 100% recycled PET felt produced from plastic bottles, the lamp reflects a commitment to sustainable design while offering a soft, modern aesthetic.

Beyond its visual character, the felt structure improves acoustic comfort by absorbing sound and reducing reverberation, helping to create quieter and more comfortable environments. This makes the Vintage Lamp an excellent choice not only for homes but also for restaurants, cafés, offices, and cultural spaces.

Balancing design, sustainability, and functionality, the Dome Pendant Lamp serves as both an architectural lighting element and an effective acoustic solution.

TECHNICAL SPECIFICATIONS

Material: ARKETA: 100% PET, 60% recycled content, ARKEATA ECOCO: 100% Recycled PET

Light Source: E27 socket, LED

Maximum Wattage: E27 18 W, LED 19 W

Dimensions: Ø 400 mm × H 185 mm

Product Weight: 1.65 kg / per pcs. (+/-5%)

Suspension Cable: 3m black cable

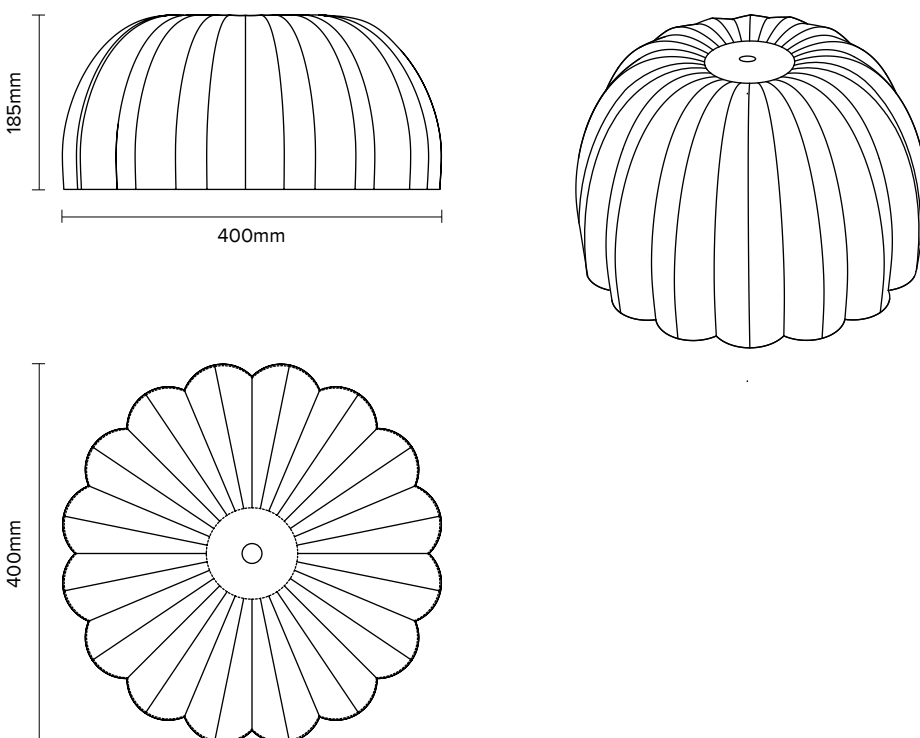
Mounting Type: Pendant ceiling mounting

Color Temperature: Depends on selected bulb

Dimming: Depends on bulb and dimmer compatibility

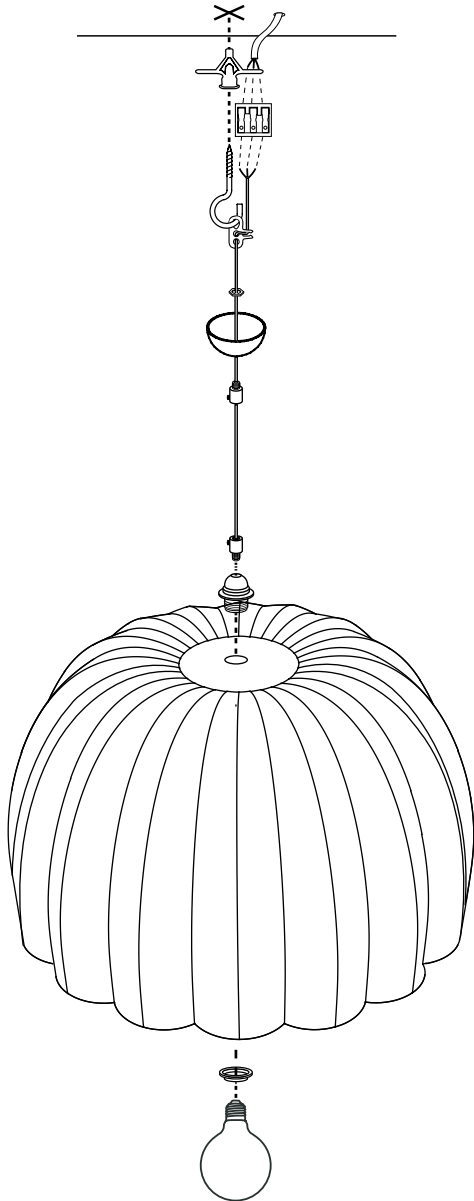
Acoustic Performance: Sound-absorbing PET felt structure helps reduce reverberation and improve acoustic comfort

Application Areas: Dining areas. Restaurants and cafés, Office spaces, Meeting rooms, Cultural and public spaces

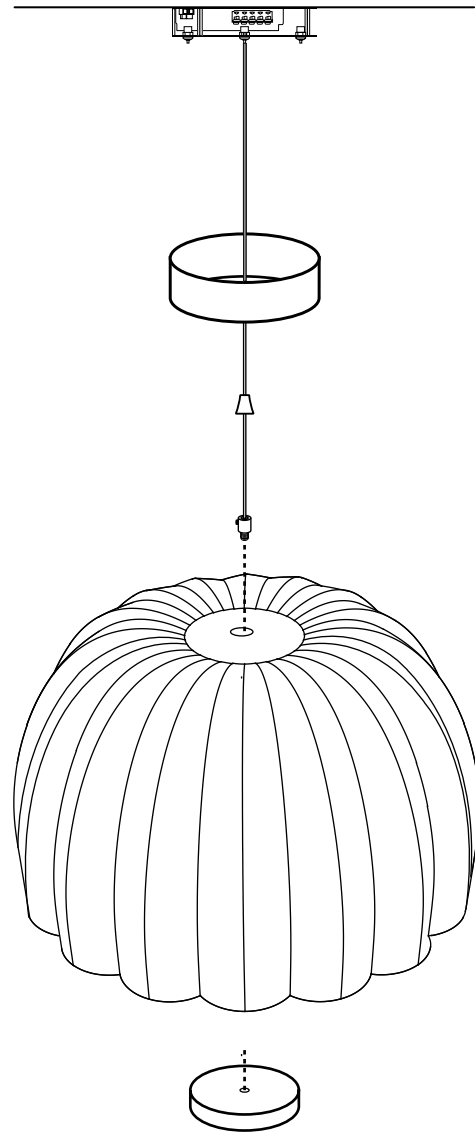


Installation

E27 SOCKET DOME



LED DOME



Code	Socket	Wattage (W)	Input Voltage (V)	Input Frequency (Hz)	Lumen Output (lm)	Color Temperature Options (K)	Color Rendering Index (CRI)	UGR
DS40	E27	18 W	220 - 240V AC	50 / 60 Hz	2000 lm	3000K	80CRI	No UGR
DL40	LED	19 W	200V AC	50 Hz	1900 lm	2700 / 3000K / 4000K	90CRI	<19



VINTAGE

PET Felt Acoustic Lamp

Natural form. Acoustic comfort.

The Vintage Pendant Lamp combines contemporary design with sustainable materials, creating a warm and refined atmosphere in any interior. Designed to hang above dining tables, meeting areas, or lounge spaces, it introduces a natural and elegant focal point.

Made from 100% recycled PET felt produced from plastic bottles, the lamp reflects a commitment to sustainable design while offering a soft, modern aesthetic.

Beyond its visual character, the felt structure improves acoustic comfort by absorbing sound and reducing reverberation, helping to create quieter and more comfortable environments. This makes the Vintage Lamp an excellent choice not only for homes but also for restaurants, cafés, offices, and cultural spaces.

Balancing design, sustainability, and functionality, the Vintage Pendant Lamp serves as both an architectural lighting element and an effective acoustic solution.

TECHNICAL SPECIFICATIONS

Material: ARKETA: 100% PET, 60% recycled content, ARKEATA ECOCO: 100% Recycled PET

Light Source: E27 socket, LED

Maximum Wattage: E27 18 W, LED 19 W

Dimensions: Ø 445 mm × H: 225 mm

Product Weight: 1.85 kg / per pcs. (+/-5%)

Suspension Cable: 3m black cable

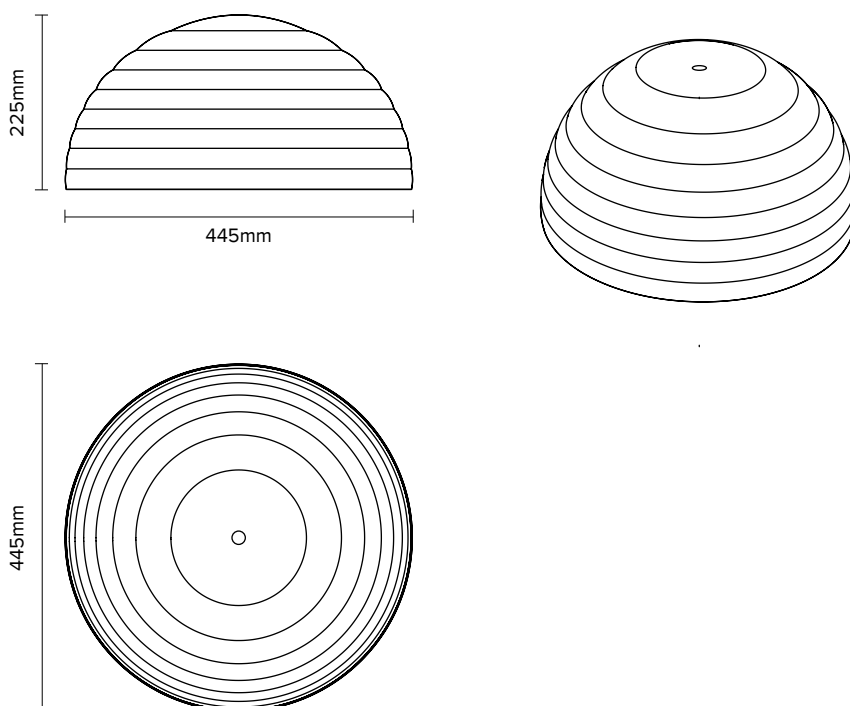
Mounting Type: Pendant ceiling mounting

Color Temperature: Depends on selected bulb

Dimming: Depends on bulb and dimmer compatibility

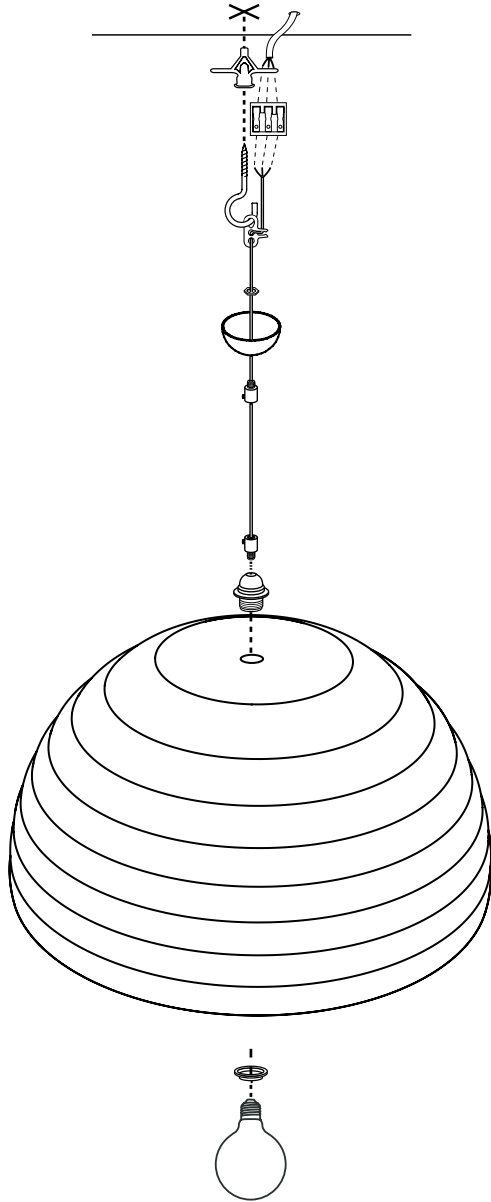
Acoustic Performance: Sound-absorbing PET felt structure helps reduce reverberation and improve acoustic comfort

Application Areas: Dining areas. Restaurants and cafés, Office spaces, Meeting rooms, Cultural and public spaces

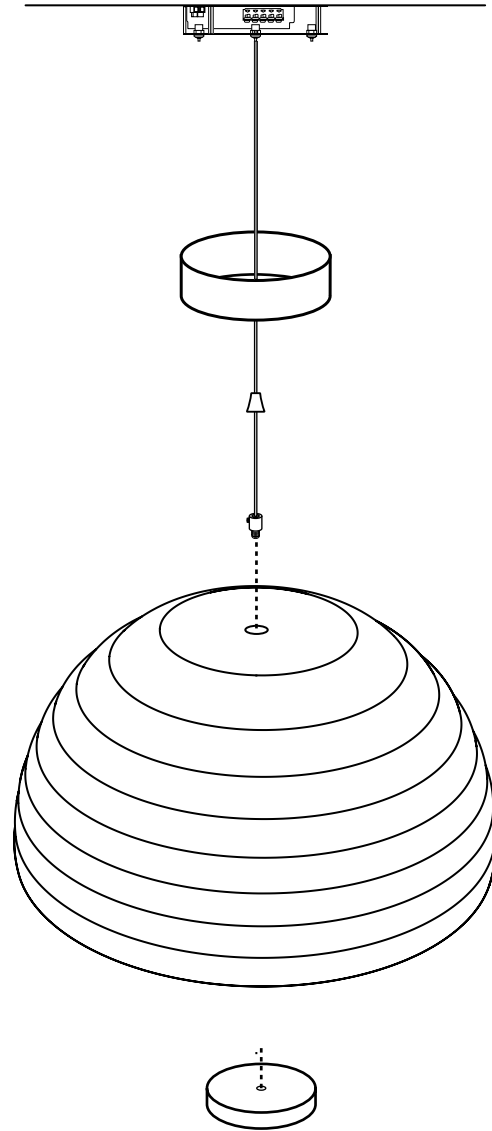


Installation

E27 SOCKET DOME



LED DOME



Code	Socket	Wattage (W)	Input Voltage (V)	Input Frequency (Hz)	Lumen Output (lm)	Color Temperature Options (K)	Color Rendering Index (CRI)	UGR
DS40	E27	18 W	220 - 240V AC	50 / 60 Hz	2000 lm	3000K	80CRI	No UGR
DL40	LED	19 W	200V AC	50 Hz	1900 lm	2700 / 3000K / 4000K	90CRI	<19



ARCLINE

PET Felt Acoustic Lamp

The Arcline Lamp is a creative modular design with exposed fixings. It is perfect for hanging above tables and the large surface area significantly improves the sound absorption property.

Arcline Lamp modular design consists of multiple overlapping dome-like sections arranged in a linear configuration. This creates a visually cohesive yet dynamic form. The gentle curves and symmetrical segmentation add a modern, architectural aesthetic.

TECHNICAL SPECIFICATIONS

Material: ARKETA: 100% PET, 60% recycled content, ARKEATA ECOCO: 100% Recycled PET

Light Source: E27 socket (bulb not included)

Maximum Wattage: E27 18 W

Dimensions: Ø 1366mm × H: 703mm

Product Weight: 1.85 kg / per pcs. (+/-5%)

Suspension Cable: 3m black cable

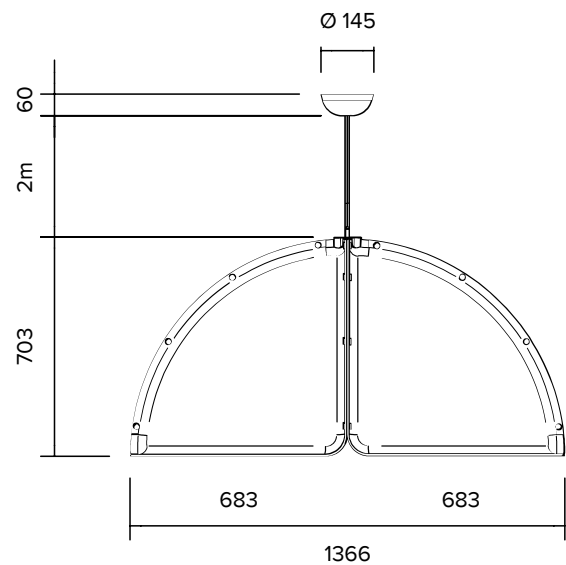
Mounting Type: Pendant ceiling mounting

Color Temperature: Depends on selected bulb

Dimming: Depends on bulb and dimmer compatibility

Acoustic Performance: Sound-absorbing PET felt structure helps reduce reverberation and improve acoustic comfort

Application Areas: Dining areas. Restaurants and cafés, Office spaces, Meeting rooms, Cultural and public spaces



ArLine Semi x 4



ARCLINE

PET Felt Acoustic Lamp

The Arcline Lamp is a creative modular design with exposed fixings. It is perfect for hanging above tables and the large surface area significantly improves the sound absorption property.

Arcline Lamp modular design consists of multiple overlapping dome-like sections arranged in a linear configuration. This creates a visually cohesive yet dynamic form. The gentle curves and symmetrical segmentation add a modern, architectural aesthetic.

TECHNICAL SPECIFICATIONS

Material: ARKETA: 100% PET, 60% recycled content, ARKEATA ECOCO: 100% Recycled PET

Light Source: E27 socket (bulb not included)

Maximum Wattage: E27 18 W

Suspension Cable: 3m black cable

Color Temperature (CCT): 3000K / 4000K / 6500K

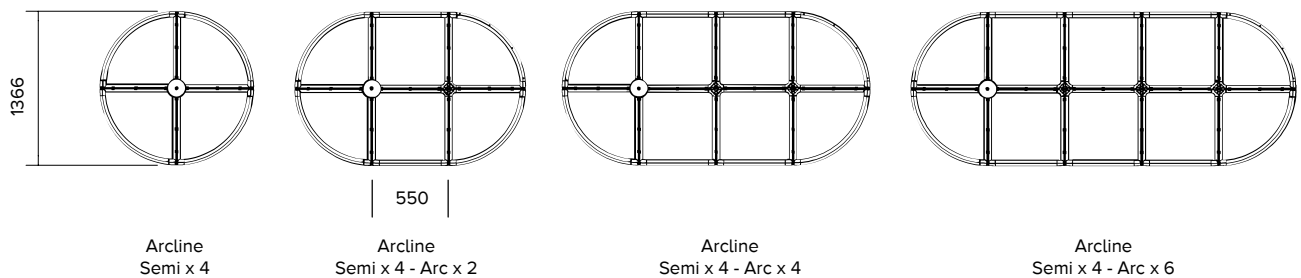
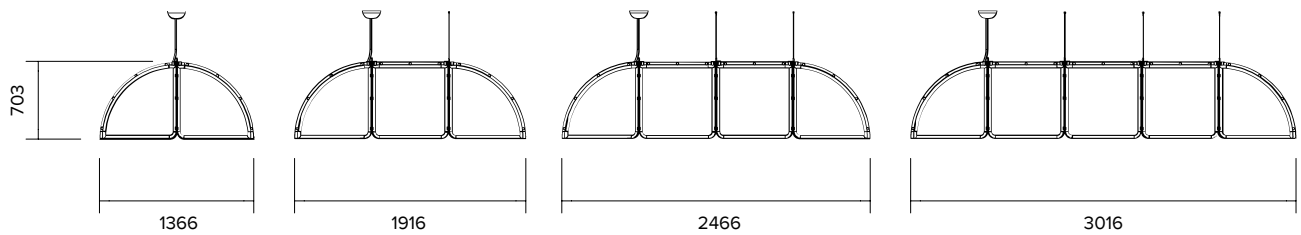
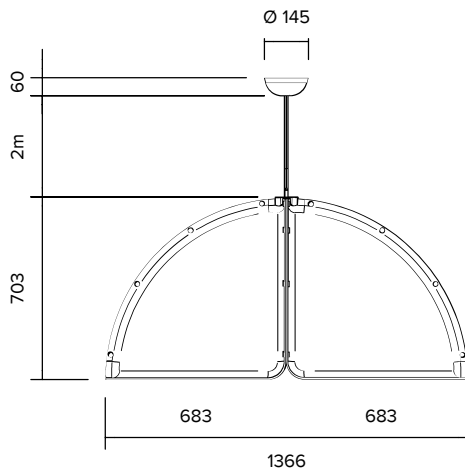
Mounting Type: Pendant ceiling mounting

Color Temperature: Depends on selected bulb

Dimming: Depends on bulb and dimmer compatibility

Acoustic Performance: Sound-absorbing PET felt structure helps reduce reverberation and improve acoustic comfort

Application Areas: Dining areas. Restaurants and cafés, Office spaces, Meeting rooms, Cultural and public spaces





ECHOLAYER

PET Felt Acoustic Lamp

EchoLayer combines a layered form with soft geometry to bring both acoustic balance and refined aesthetics to interiors. Made from 100% recycled PET felt, it absorbs sound and reduces reverberation, creating more comfortable environments. Designed for dining tables, meeting areas, and social spaces, EchoLayer functions as both a lighting element and an acoustic solution. Its layered structure diffuses light softly while creating a calm and elegant atmosphere.

TECHNICAL SPECIFICATIONS

Material: ARKETA: 100% PET, 60% recycled content, ARKEATA ECOCO: 100% Recyled PET

Light Source: E27 socket, LED

Maximum Wattage: E27 18 W, LED 19 W

Dimensions: 840 x 390mm x H: 390mm

Suspension Cable: 3m black cable

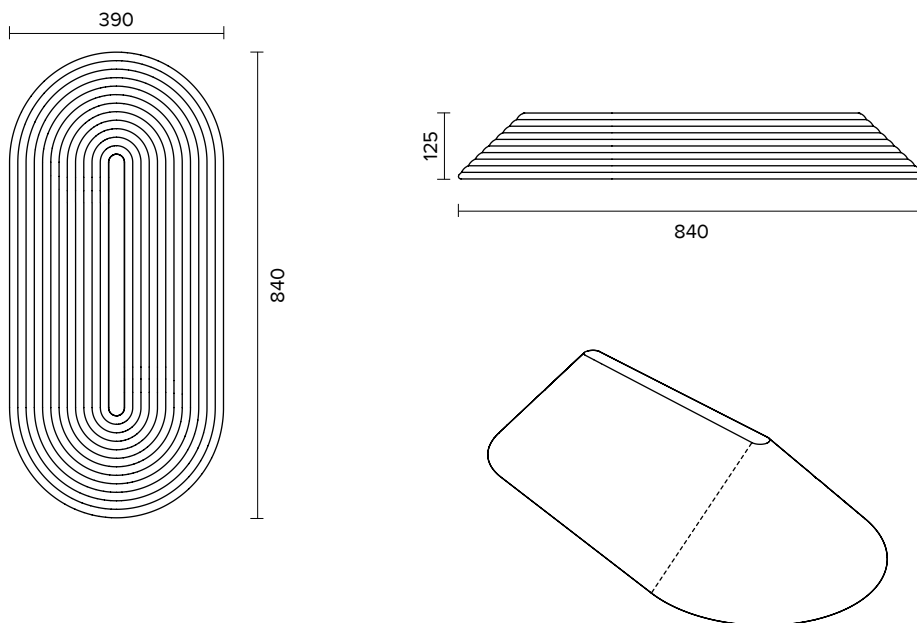
Mounting Type: Pendant ceiling mounting

Color Temperature: Depends on selected bulb

Dimming: Depends on bulb and dimmer compatibility

Acoustic Performance: Sound-absorbing PET felt structure helps reduce reverberation and improve acoustic comfort

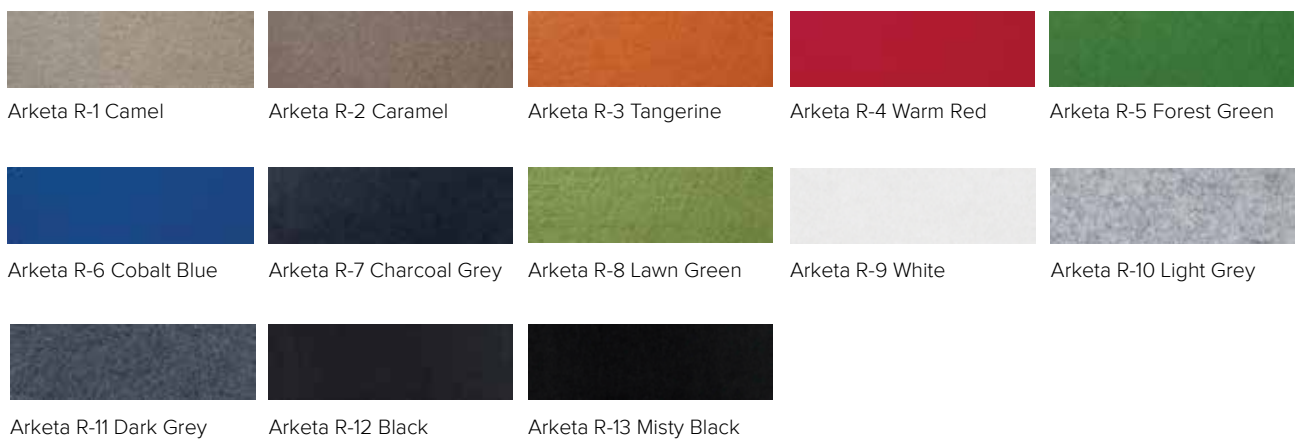
Application Areas: Dining areas, Restaurants and cafés, Office spaces, Meeting rooms, Cultural and public spaces



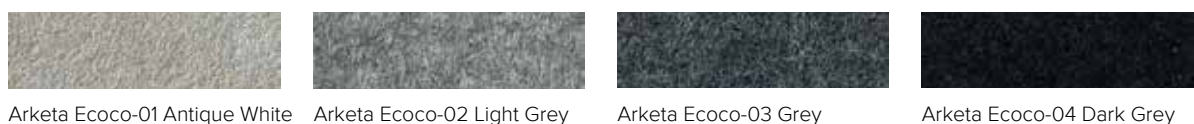
ICHOS HEATHERED PET FELT PANEL COLLECTION



ARKETA PET FELT COLLECTION



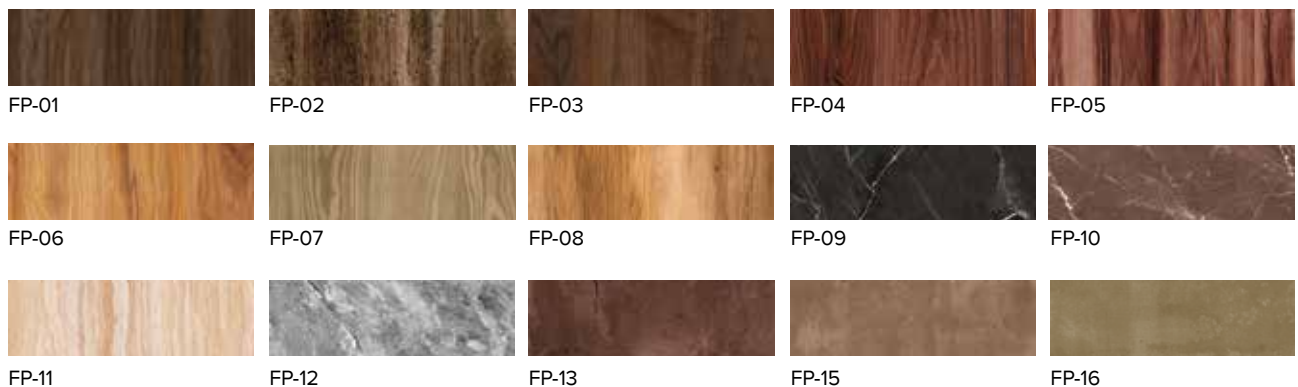
ARKETA ECOCO PET FELT COLLECTION



ICHOS FLAT | PET FELT PANEL COLLECTION



PRINTED PET FELT COLLECTION (WOOD - MARBLE)





HEAD OFFICE

Savaş Cad. Söğüt Sok. No: 1
34164 Merter, İstanbul, Türkiye
T: +90 212 637 09 89
F: +90 212 637 02 96
info@feltvibe.com

DÜZCE FACTORY

Organize Sanayii Bölgesi 13. Ada
1/4 Parsel Beyköy Belediyesi
81060 Düzce, Türkiye
T: +90 380 553 73 68-69
F: +90 380 553 73 68-69

GEREDE FACTORY

Gerkonsan Organize
Sanayii Bölgesi
14900 Gerede, Bolu, Türkiye
T: +90 374 311 82 57 / 58
F: +90 374 311 66 37

İZMİR BRANCH

MTK Sitesi 747/ 2 Sokak
No:37 6003 ADA, 6003
Altındağ, İzmir, Türkiye
T: +90 232 431 08 17-18
F: +90 232 431 08 19

www.feltvibe.com

03.12.26